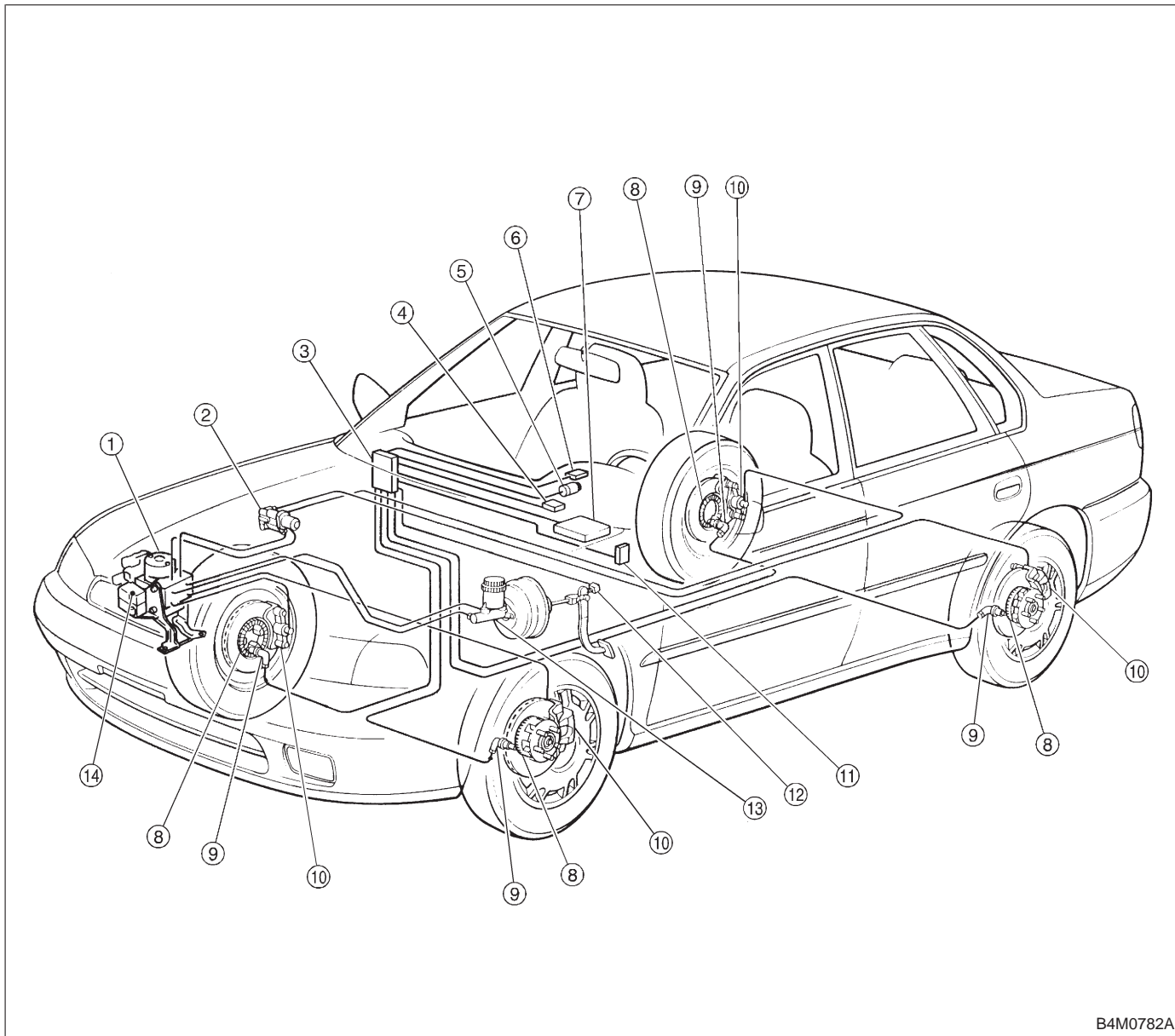
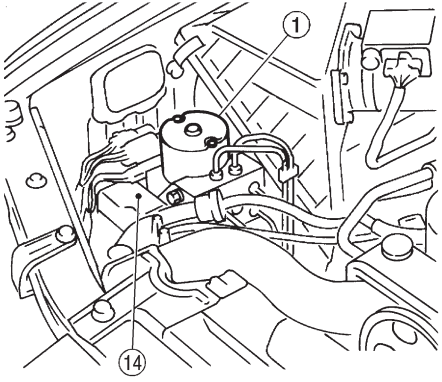
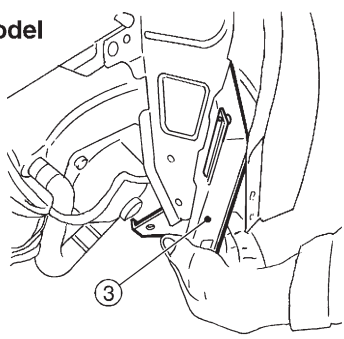
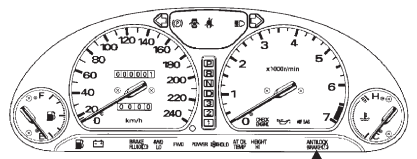
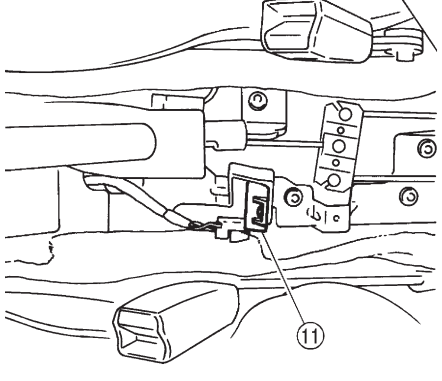
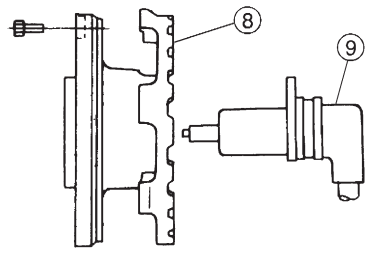
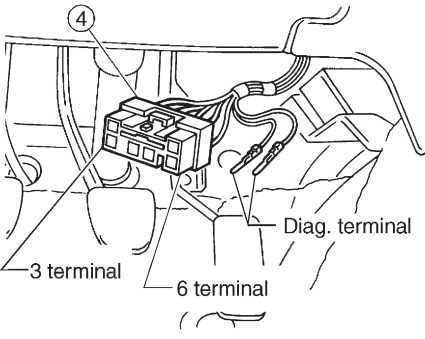
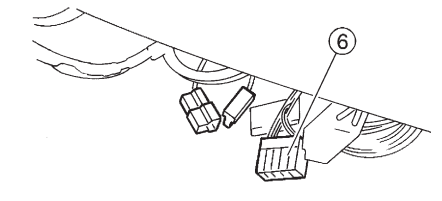


3. Electrical Components Location



B4M0782A

- |   |                               |
|---|-------------------------------|
| ① Hydraulic control unit (H/U)                    | ⑧ Tone wheel                  |
| ② Proportioning valve                             | ⑨ ABS sensor                  |
| ③ ABS control module (ABSCM)                      | ⑩ Wheel cylinder              |
| ④ Diagnosis connector                             | ⑪ G sensor (only AWD vehicle) |
| ⑤ ABS warning light                               | ⑫ Brake switch                |
| ⑥ Data link connector (for Subaru select monitor) | ⑬ Master cylinder             |
| ⑦ Transmission control module (only AT vehicle)   | ⑭ Relay box                   |

 <p>B4M0783A</p>	<p>LHD model</p>  <p>B4M0784A</p>	 <p>B4M0230B</p>
 <p>B4M0786A</p>	 <p>B4M0646B</p>	 <p>B4M0231B</p>
 <p>B4M0645B</p>	<p>SUBARU.</p>	